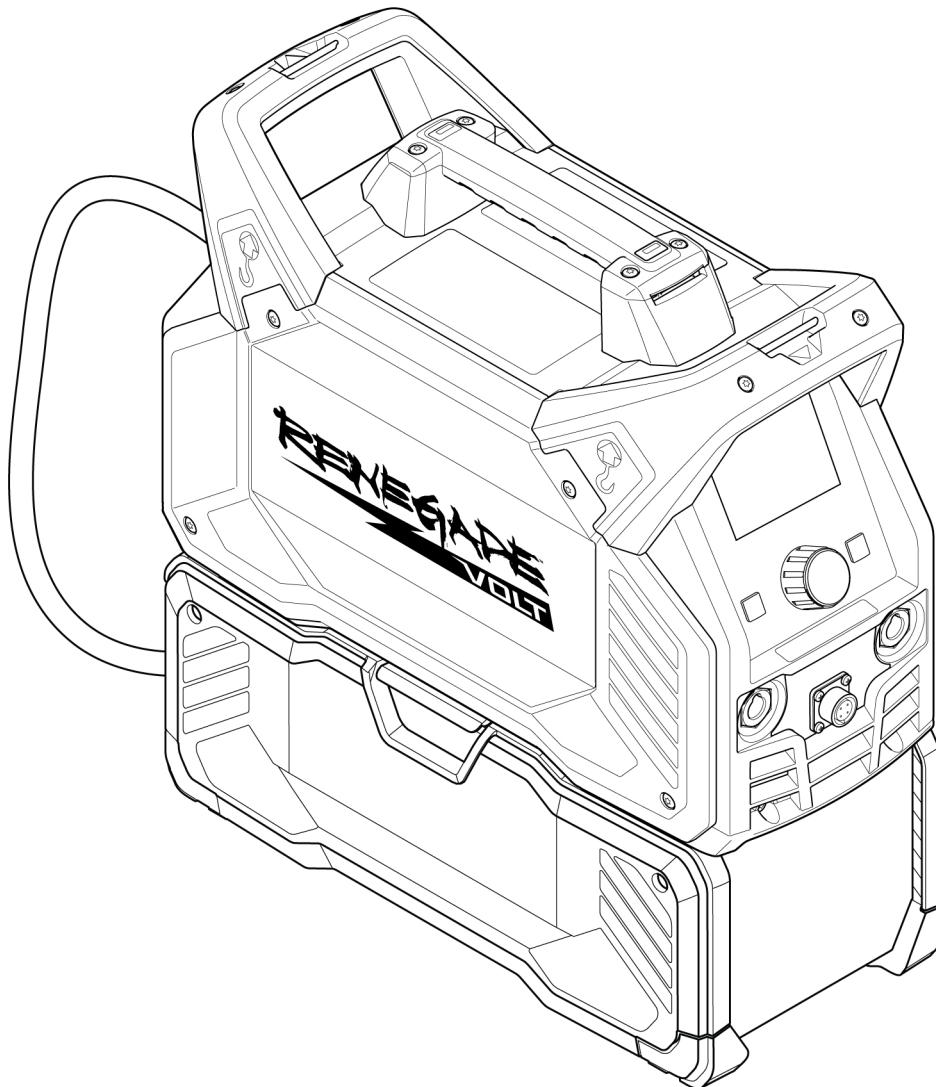


# *Renegade VOLT ES 200i*



## **Spare parts list**

<b>Ordering no.</b>	<b>Denomination</b>	<b>Notes</b>
0447 800 880	Renegade VOLT ES 200i NAM	Power source with battery box
0447 800 884	Renegade VOLT ES 200i SAM	Power source with battery box
0447 800 881	Renegade VOLT ES 200i CE	Power source with battery box
0447 800 883	Renegade VOLT ES 200i UKCA	Power source with battery box
0447 811 *	Instruction manual NAM	
0447 814 *	Instruction manual CE	
0447 823 001	Service manual	

Spare parts may be ordered through your nearest ESAB dealer, see [esab.com](http://esab.com). When ordering, please state product type, serial number, denominations and ordering numbers according to the spare parts list. This facilitates dispatch and ensures correct delivery.

Maintenance and repair work should be performed by an experienced person, and electrical work only by a trained electrician. Use only recommended spare parts.

For accessories to the product, see the instruction manual.

The three last digits in the document number of the manual show the version of the manual. Therefore they are replaced with \* here. Make sure to use a manual with a serial number or software version that corresponds with the product, see the front page of the manual.

TABLE OF CONTENTS

---

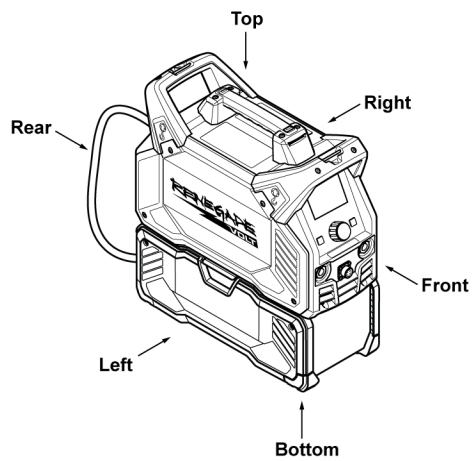
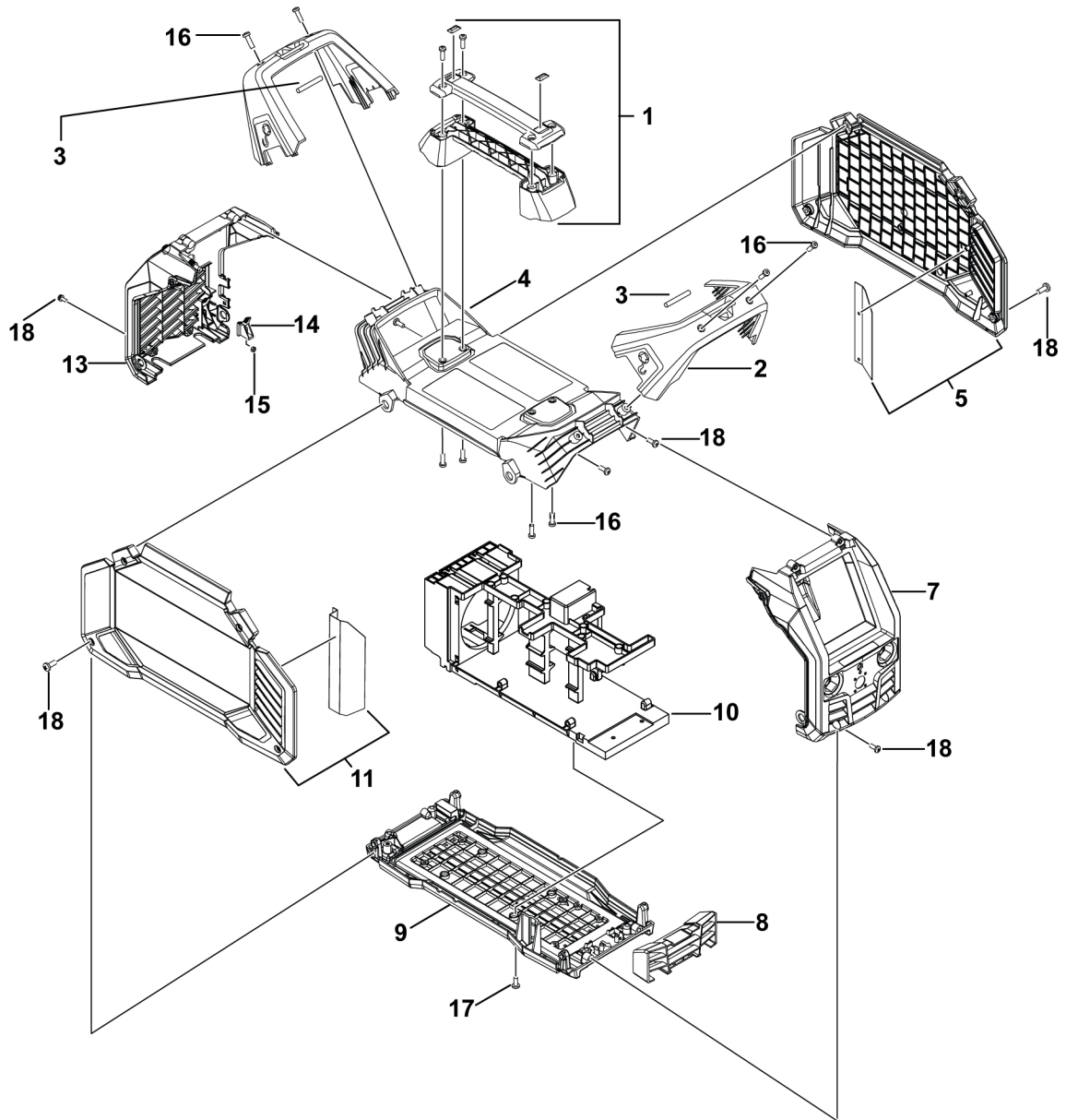
- 1 POWER SOURCE SPARE PARTS ..... 4**
  - 1.1 Housing module ..... 4**
  - 1.2 PFC / Power board module..... 6**
  - 1.3 Setting panel module ..... 8**
  - 1.4 Front and rear panel connections module..... 9**
- 2 BATTERY BOX SPARE PARTS ..... 11**
  - 2.1 Housing module ..... 11**
  - 2.2 Battery holder module ..... 13**
  - 2.3 DC power module ..... 14**
  - 2.4 Battery interface cable module ..... 15**

# 1 POWER SOURCE SPARE PARTS

## 1.1 Housing module

C = Component designation in the circuit diagram					
Item	Qty	Ordering no.	Denomination	Notes	C
1	1	0464 565 880	Top handle	Includes LOGO stickers, plastic handle cap and plastic handle bottom	
2	2	0465 952 001	Plastic handle cap 2		
3	2	0445 129 001	Pin for Plastic handle cap 2	Diameter=3.9 mm, length=52 mm	
4	1	0465 951 001	Plastic top cover	Including warning decals	
5	1	0700 401 812	Right plastic panel with decal	Includes windshield	
	1	0464 663 324	Right plastic panel with decal	Includes windshield, comes as painted panel (CE variant)	
7	1	0464 663 312	Front plastic panel with decal		
8	1	0700 401 819	Waterproof blinds		
9	1	0464 663 292	Base plastic panel		
10	1		Plastic bracket		
11	1	0464 663 311	Left plastic panel with decal	Includes windshield	
	1	0464 663 325	Left plastic panel with decal	Includes windshield, comes as painted panel, CE	
13	1	0464 663 313	Rear plastic panel with decal		
14	1	0464 538 001	Stopping block		
15	1		Screw	Hexagonal nut type, M5 (black zinc plating) salt mist	
16	12	0464 663 284	Screw	Hex, torx 4.8x16-F	
17	6		Screw	Hex flower head, M4x8	
18	16		Screw	Hex flower head, M5x12	

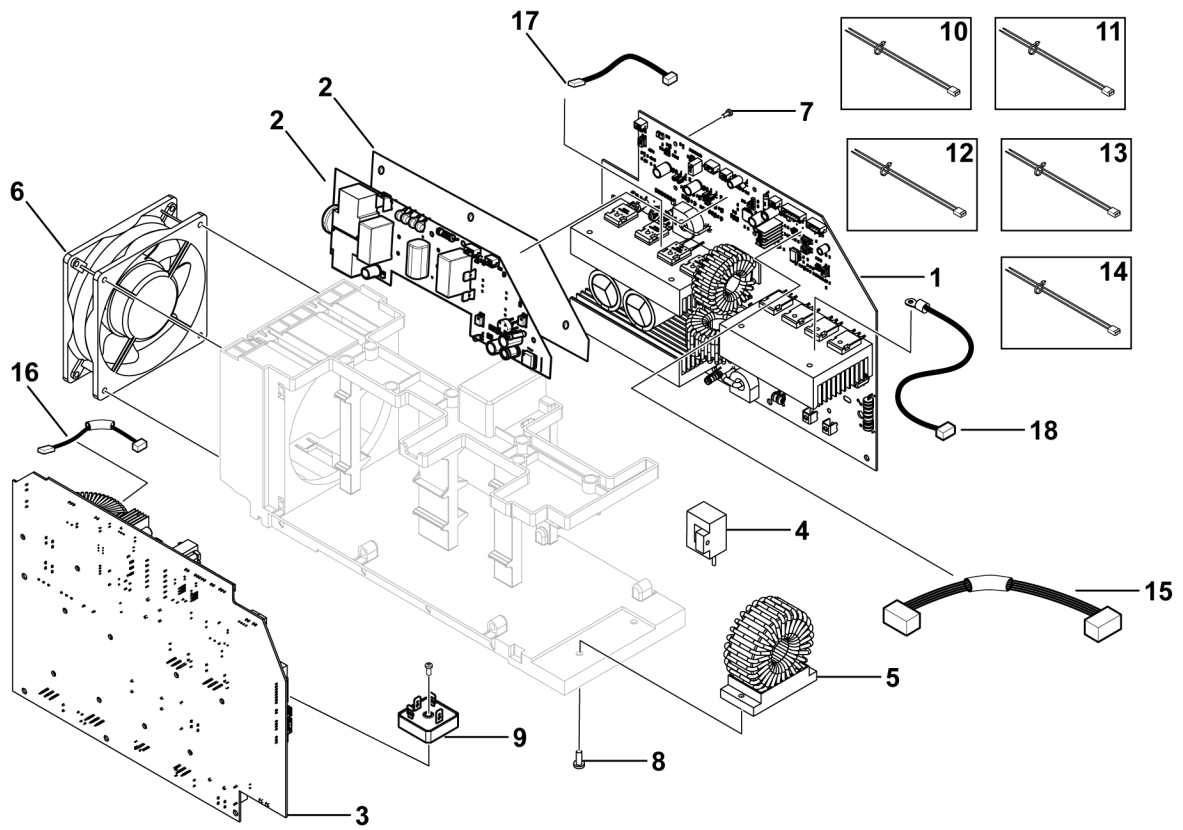
1 POWER SOURCE SPARE PARTS



## 1.2 PFC / Power board module

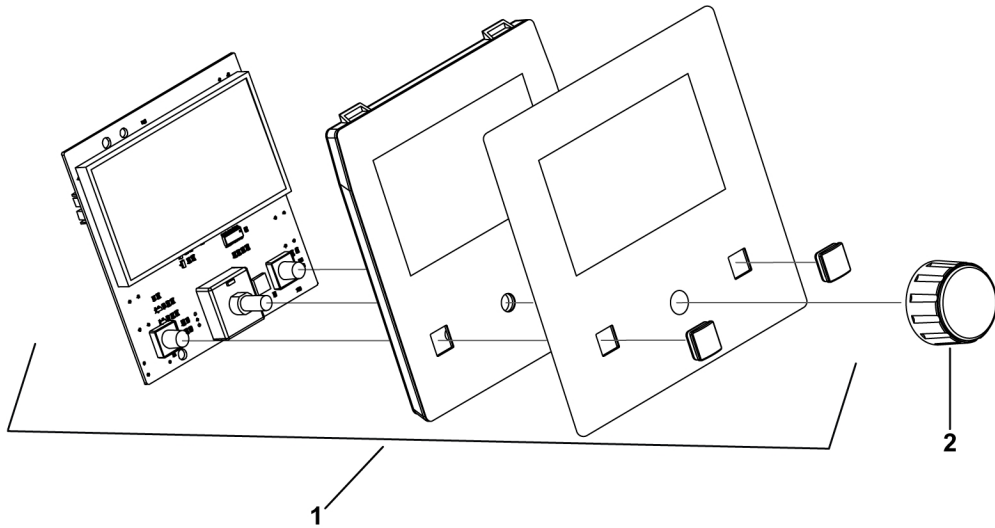
<b>C = Component designation in the circuit diagram</b>					
<b>Item</b>	<b>Qty</b>	<b>Ordering no.</b>	<b>Denomination</b>	<b>Notes</b>	<b>C</b>
1	1	0464 663 286	Battery converter PCB		28AP1
2	1	0464 663 285	EMC filter PCB	Include Nomex sheet	2AP1
3	1	0464 663 288	Main control PCB		15AP1
4	1	0464 670 006	Current hall sensor		
5	1	0464 663 287	Output inductor	100uH, 63×32×26	
6	1	0464 663 293	Fan	20.4 W, 24 V DC/0.93 A, 3800 rpm	
7	4		Screw	Cross slot head, M3×8	
8	2		Screw	Cross slot head, M4×12	
9	1		Primary rectifier diode		
10	1		Wiring harness	Connection between battery converter board (28AP1) CN6 and main power board (15AP1) CN15. See item 101.	
11	1		Wiring harness	Connection between battery converter board (28AP1) CN4 and main power board (15AP1) CN13. See item 101.	
12	1		Wiring harness	Connection between battery converter board (28AP1) CN9 and main control board (15AP1) CN10. See item 101.	
13	1		Wiring harness	Connection between battery converter board (28AP1) CN1 and EMC filter board (2AP1) CN1. See item 101.	
14	1		Wiring harness	Connection between battery converter board (28AP1) CN12 and EMC board (2AP1) CN2. See item 101.	
15	1		Wiring harness with ferrite core	Connection between battery converter board (28AP1) CN5 and HMI TFT board (1AP2) J1. See item 101.	
16	1		Wiring harness with ferrite core	Connection between main power board (15AP1) CN12 and HMI TFT board (1AP2) J2. See item 101.	
17	2	0464 663 295	Thermal sensor	80°C with harness	
18	1	0464 663 296	NTC sensor with harness		
<b>Item</b>	<b>Qty</b>	<b>Ordering no.</b>	<b>Denomination</b>	<b>Notes</b>	<b>C</b>
101	1	0464 663 297	Renegade Volt harness kit	Include item 10, 11, 12, 13, 14, 15 and 16	

1 POWER SOURCE SPARE PARTS



### 1.3 Setting panel module

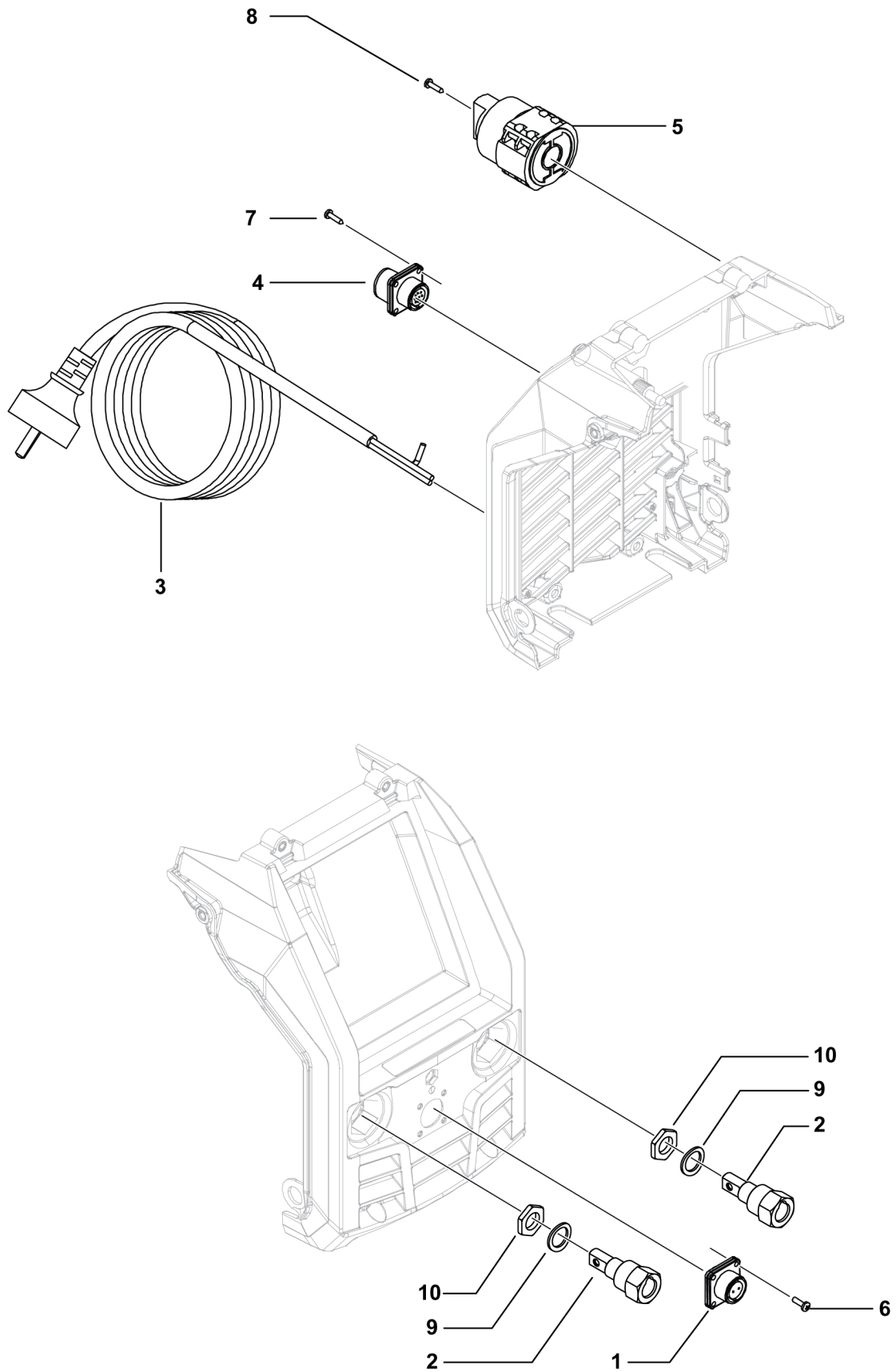
C = Component designation in the circuit diagram					
Item	Qty	Ordering no.	Denomination	Notes	C
1	1	0464 663 290	HMI kit with LED	Includes LED display, rubber caps for press buttons and TFT decal	
2	1	0321 475 893	Knob and encoder		



## 1.4 Front and rear panel connections module

<b>C = Component designation in the circuit diagram</b>					
<b>Item</b>	<b>Qty</b>	<b>Ordering no.</b>	<b>Denomination</b>	<b>Notes</b>	<b>C</b>
1	1	0464 663 289	Receptable	Female, 8-pin with harness	
2	2	0160 362 025	OKC 50 contact	Female	
3	1	0464 674 012	Input power cable		
4	1	0464 663 294	Receptable	Female, 10-pin, DC with harness	
5	1	0465 965 001	Switch	Rotary, 20 A, 690 V	
6	4		Screw	Hex, Torx, M3×8	
7	4		Screw	Hex, Torx, M3×20	
8	1		Screw	Hex, Torx, M3×12	
9	2		Spring washer	ID=15 mm, OD=21 mm, Thk=1.5 mm	
10	2		Nut	OKC25 21×3, M14	

1 POWER SOURCE SPARE PARTS



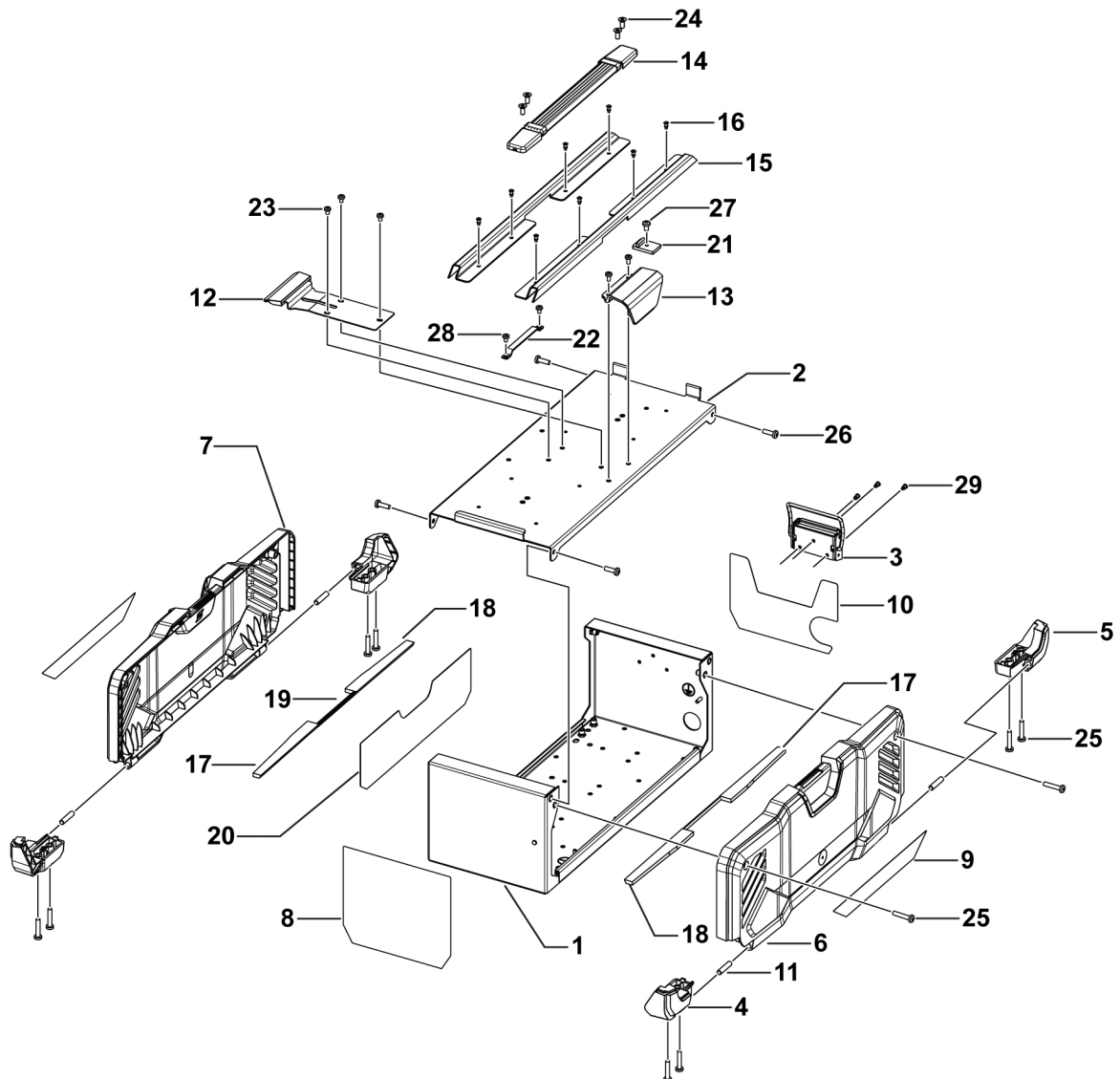
## 2 BATTERY BOX SPARE PARTS

### 2.1 Housing module

C = Component designation in the circuit diagram					
Item	Qty	Ordering no.	Denomination	Notes	C
1	1		Base frame assembly		
2	1		Top panel assembly		
3	1		Toggle latch	See item 201	
4	2		Right plastic foot	See item 202	
5	2		Left plastic foot	See item 202	
6	1		Right plastic panel	See item 203	
	1		Right plastic panel	Comes as painted panel (CE variant). See item 203.	
7	1		Left plastic panel	See item 204	
8	1		Front decal	See item 205	
9	2		Side panel decal	See item 203 and 204	
10	1		Rear decal	See item 205	
11	4		Hinge pin	See item 202	
12	1		Door latch lock	See item 206	
13	1		Door latch lock cover	See item 207	
14	1	0447 923 001	Handle strap		
15	2		Rail		
16	11		Tubular rivets with core		
17	2		Left rubber seal	See item 203, 204 and 209	
18	2		Right rubber seal	See item 203, 204 and 209	
19	2		Gasket	Length=0.095 m. See item 203, 204 and 209.	
20	1		Battery info/warning overlay	See item 204	
21	1		Cable holder	See item 207	
22	1		Bracket for stop lock	See item 206	
23	3		Screw	Flat head, M4×6. See item 206.	
24	4		Screw	Counter sunk, M5	
25	10		Screw	MRT M5×25, black. See item 202 and 203.	
26	4		Screw	MRT M5×16, black	
27	3		Screw	MRT M4×8. See item 207.	
28	2		Screw	MRT M4×6. See item 206.	
29	3		Rivet	See item 201	

2 BATTERY BOX SPARE PARTS

Item	Qty	Ordering no.	Denomination	Notes	C
201	1	0464 663 270	Toggle latch kit	Includes item 3 and 29	
202	1	0464 663 266	Foot and pin kit	Includes item 4 (1-pc), 5 (1-pc), 25 (4-pc) and 11 (2-pc)	
203	1	0464 663 268	Right plastic panel kit	Includes item 6, 9, 17, 18, 19 and 25 (2-pc)	
204	1	0464 663 323	Right plastic panel kit	Includes item 6, 9, 17, 18, 19 and 25 (2-pc), CE	
205	1	0464 663 269	Left plastic panel kit	Includes item 7, 9 (1-pc), 17, 18, 19 (1-pc) and 20	
206	1	0464 663 263	Front and rear panel decal kit	Includes item 8 and 10	
207	1	0464 663 264	Door latch and stop lock kit	Includes item 12, 22, 23 and 28	
208	1	0464 663 265	Door latch cover kit	Includes item 13, 21 and 27	
209	1	0464 663 322	Rubber seal kit	Includes item 17, 18 and 19	



## 2.2 Battery holder module

C = Component designation in the circuit diagram					
Item	Qty	Ordering no.	Denomination	Notes	C
1	4		Battery holder	See item 301	
2	1	0447 940 880	Terminal block harness		
3	4		Cover for battery holder	See item 301	
4	12		Screw	MRT M4×12. See item 301.	
Item	Qty	Ordering no.	Denomination	Notes	C
301	1	0464 663 320	Battery holder kit	Includes item 1, 3 and 4 (3-pc)	

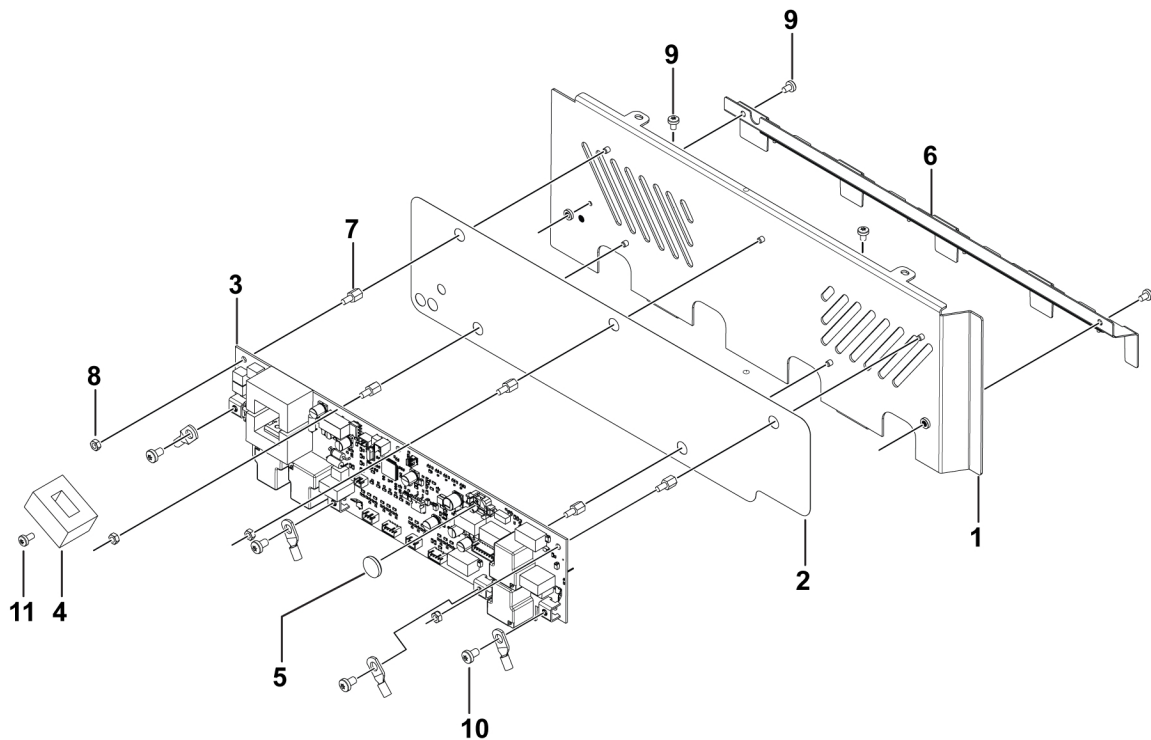


## 2.3 DC power module

C = Component designation in the circuit diagram					
Item	Qty	Ordering no.	Denomination	Notes	C
1	1		PCBA mounting bracket		
2	1		Nomex sheet for PCBA	See item 401	
3	1		Battery interface PCB	Configured, comes without coin cell battery. See item 401.	29AP1
4	1	0447 941 880	Current sensor with harness		
5	1		Lithium coin battery	CR3216	
6	1		Protection bracket assembly		
7	5	0394 516 017	Spacer screw	M4×8	
8	5		Nut	6K, steel 8.8, M4	
9	4		Screw	MRT M4×6	
10	4		Screw	MRT M5×8	
11	1		Screw	MRT M4×12	

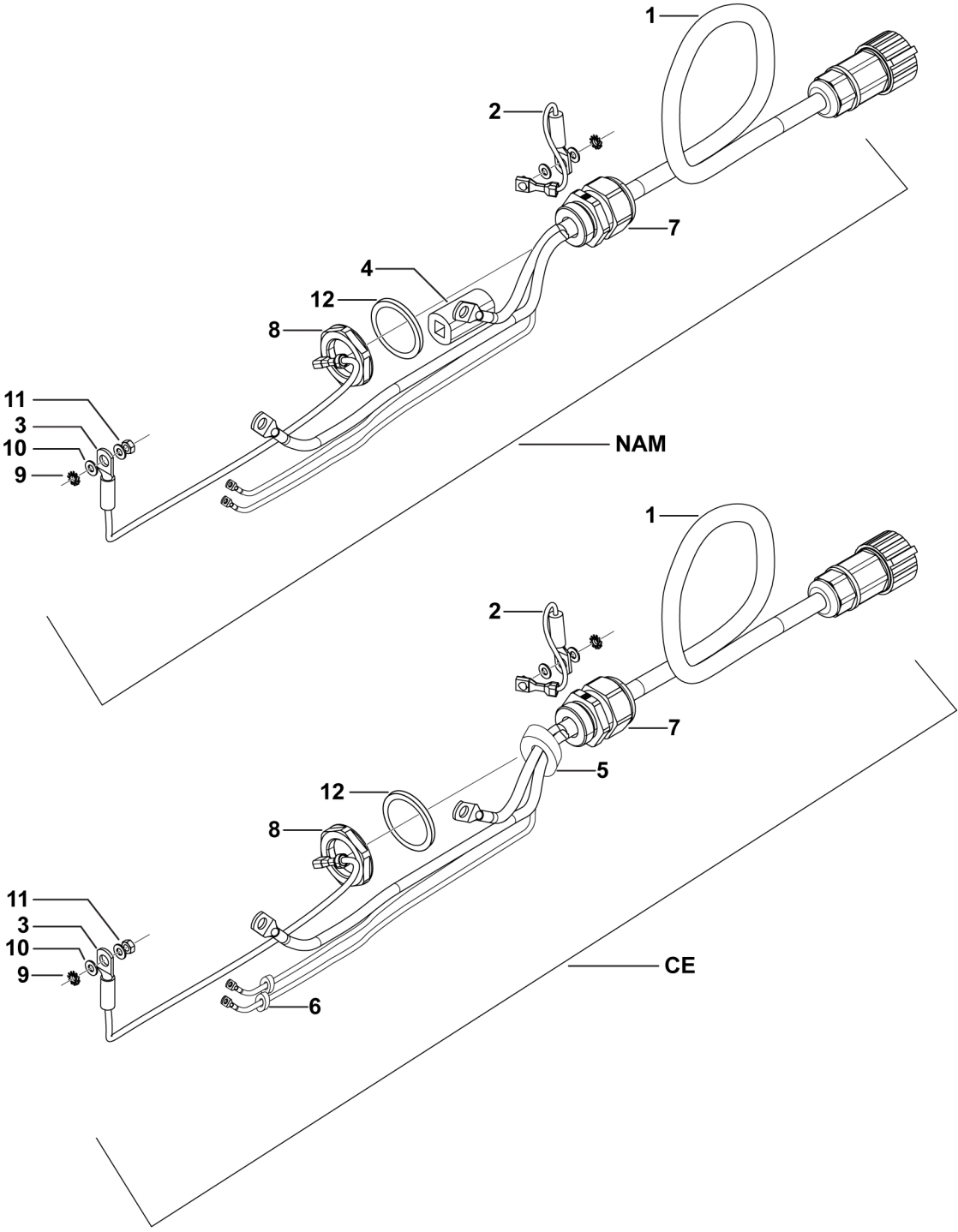
  

Item	Qty	Ordering no.	Denomination	Notes	C
401	1	0447 830 880	Battery interface PCB kit	Include item 2 and 3	



## 2.4 Battery interface cable module

<b>C = Component designation in the circuit diagram</b>					
<b>Item</b>	<b>Qty</b>	<b>Ordering no.</b>	<b>Denomination</b>	<b>Notes</b>	<b>C</b>
1	1		Interface harness	See item 501	
2	1		Ground harness		
3	1		Ground harness		
4	1		Ferrite core	See item 501	
5	1		Ferrite core	CE, 30×20×10. See item 502.	
6	2		Ferrite core	CE	
7	1		Cable gland	M25. See item 501.	
8	1		Nut for cable gland	M25. See item 501.	
9	3		Lock washer	AZ 4.3×8 ST	
10	7		Plain washer	4-200 HV-A2K	
11	3		Nut	6k steel 8.8, M4	
12	1		Gland washer	See item 501 and 502	
<b>Item</b>	<b>Qty</b>	<b>Ordering no.</b>	<b>Denomination</b>	<b>Notes</b>	<b>C</b>
501	1	0464 663 267	Interface harness kit, NAM	See NAM illustration. Includes item 1, 4, 7, 8 and 12.	
502	1	0464 663 321	Interface harness kit, CE	See CE illustration. Includes item 1, 5, 6, 7, 8 and 12.	







# A WORLD OF PRODUCTS AND SOLUTIONS.



For contact information visit [esab.com](http://esab.com)

ESAB Corporation, 2800 Airport Road Denton, TX 76207, USA, Phone +1 800 378 8123  
ESAB AB, Lindholmsallén 9, Box 8004, 402 77 Gothenburg, Sweden, Phone +46 (0) 31 50 90 00

[manuals.esab.com](http://manuals.esab.com)

